

Burns and Ferrall Locations

AUCKLAND
 12 Reg Savory Place
 East Tamaki, Auckland

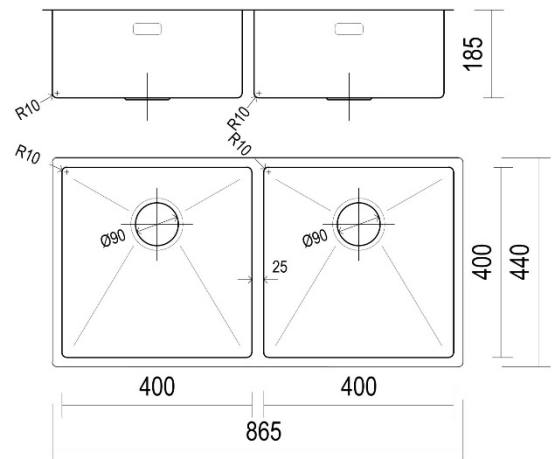
0800 697 465

WELLINGTON
 122-124 Tory Street
 Te Aro

HAMILTON
 60 Alexandra Street
 Central

CHRISTCHURCH
 345 St Asaph Street
 Christchurch

Product Specification Sheet
BFD865R10



Designer R10
 B&F DESIGNER R10 400 DOUBLE BOWL

<u>Models</u>	<u>Corner Radius</u>
14 BFD865R10	10mm
<u>Overall Dimensions W x D</u>	<u>Waste</u>
865 x 440mm	90mm
<u>Bowl Dimensions W x D x H</u>	<u>Installation</u>
400 x 400 x 200mm	Top / Flush / Undermount
<u>2nd Bowl Dimensions: W x D x H</u>	<u>Minimum Cabinet Size</u>
400 x 400 x 200mm	945mm
<u>Material & Finish</u>	
1.2mm 304 Stainless Steel, Silky Sheen	

Accessories Available (optional)

					
BFDDT15 DRAINING TRAY 425 X 360mm	BFDRMB ROLLER MAT 480 X 450mm	BFDCO COLANDER 430 X 165mm	BFDCB15 CHOPPING BOARD 430 X 370mm	BFDDB DRAINING BASKET 390 X 325mm	BFDCBCO15 BOARD & COLANDER 415 X 415mm

E&OE – it is recommended all measurements are taken directly from the product. Specification subject to change without notice, always consult the literature supplied with the product. Coloured images are indicative only.